

## Quick Start Guide – PS1000/PS7000 Breakout Adaptor

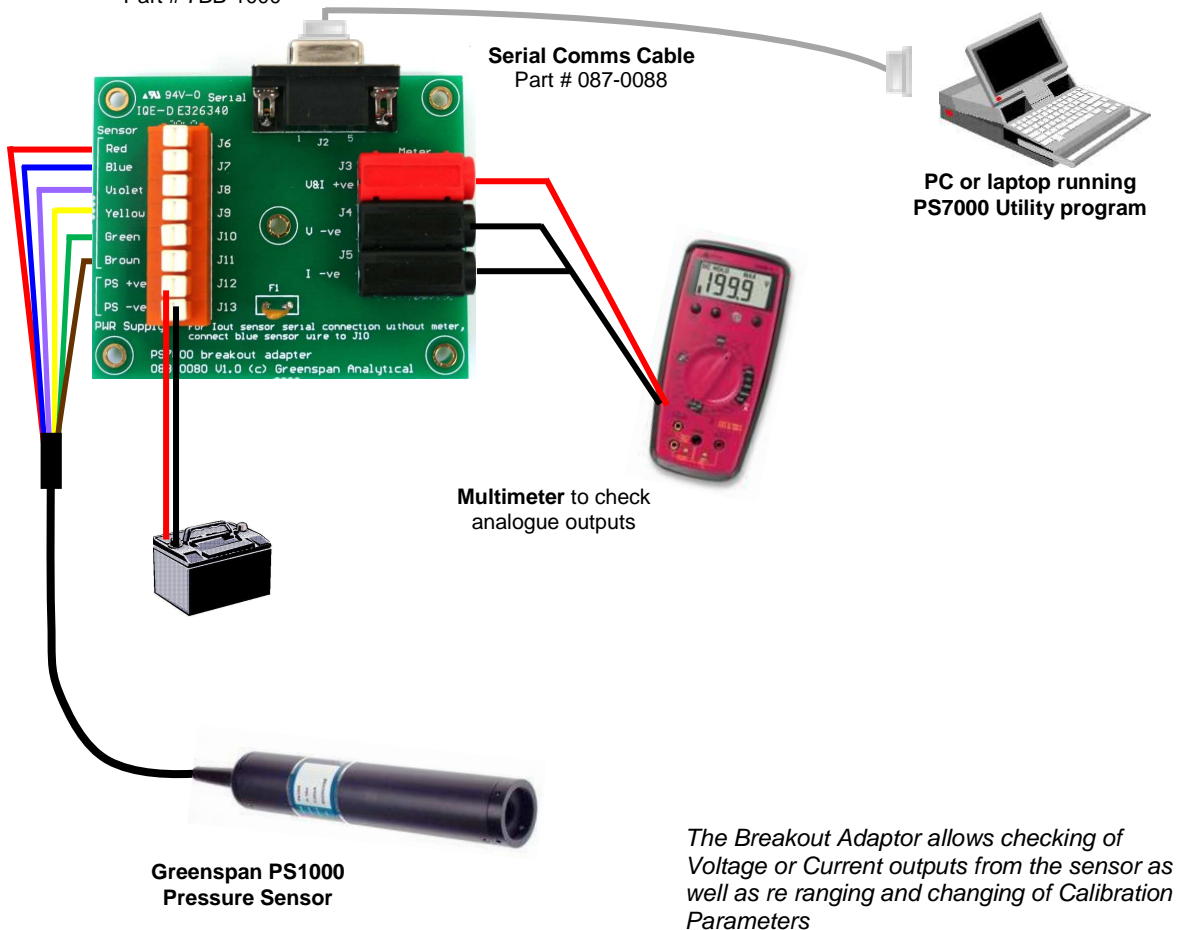
Procedures for connecting and configuring Greenspan PS1000/PS7000 Breakout Adaptor.

### You should have received:

- Greenspan Pressure Sensor Breakout Adaptor
- USB containing PS7000 Utility Software and web link to User Manual
- Comms lead (Breakout box to PC 9 pin serial cable)

### Connection of Breakout Adaptor to Greenspan PS1000/PS7000

#### PS1000/PS7000 Breakout Adaptor Part # 7BB-1000



7BB-1000 Quick Start Guide

The Breakout Adaptor is supplied with all necessary software on supplied USB drive, communications cable for PC and a User Manual. It is suitable for use with Greenspan Pressure Sensors Model PS7000 and PS1000 with either Voltage (0-2.5V) or Current (4-20mA) outputs.